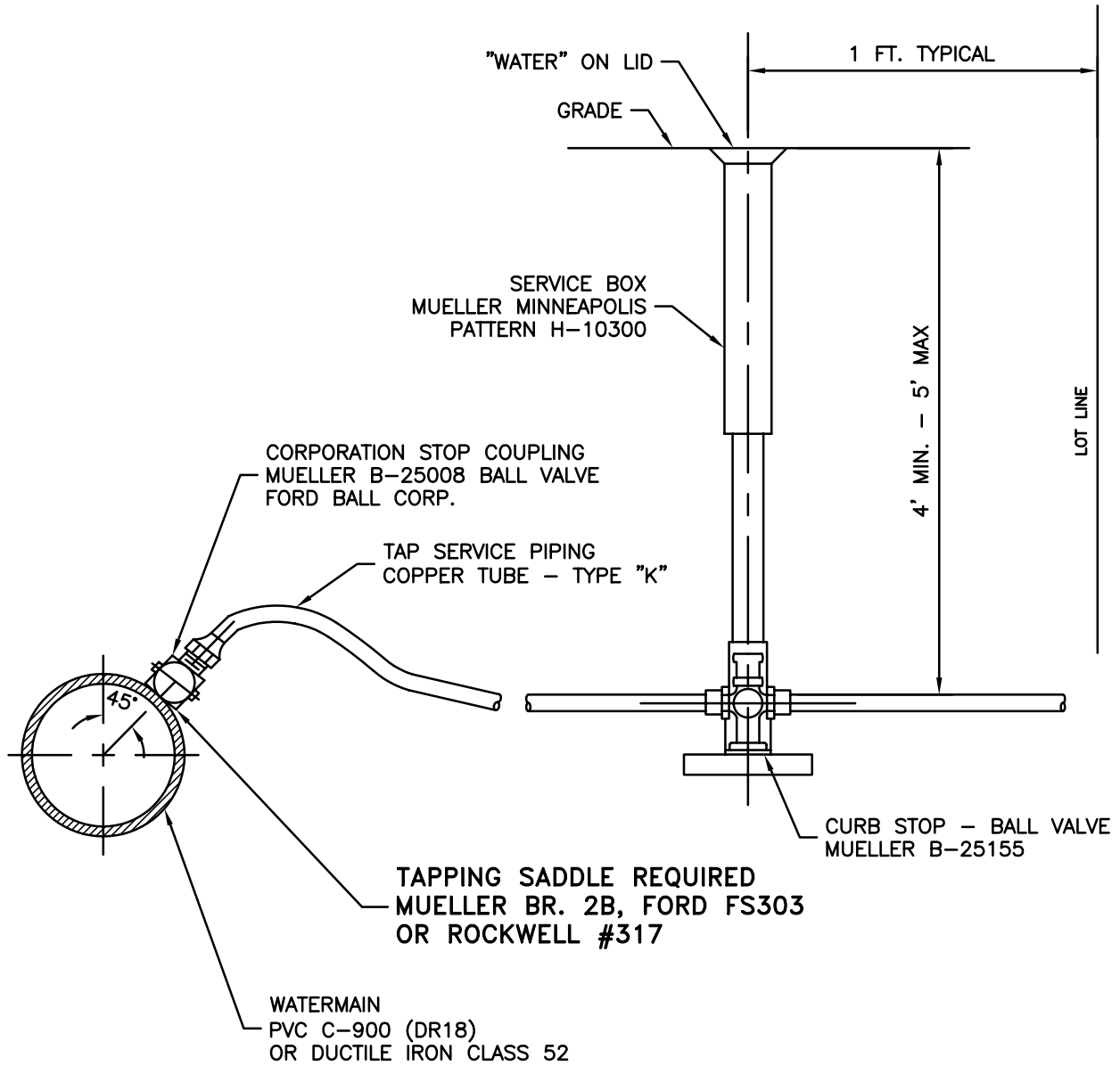


\* SERVICE BOXES SHALL NOT BE  
 INSTALLED IN SIDEWALKS OR  
 DRIVEWAYS



ALL MATERIALS TO BE MADE IN U.S.A.

**STANDARD  
 TAP SERVICE  
 PIPING (COPPER)**

BEDDING MATERIAL FOR COPPER PIPE:  
 IDOT STD. FA-2 OR LAFARGE FM-02

CITY OF OTTAWA

DRG. 2

JANUARY 30, 2008